



Representative photograph, actual product appearance may vary.

Due to regional agency approval requirements, some products may not be available in your area. Please contact your regional Honeywell office regarding your product of choice.

### RA30NASD500A

## RA30 Series Industrial Potentiometer, Wire Wound Element, Solder lug Terminals, 4 W Power Rating, 50 Ohm Resistance Value

#### Features

- Robust nickel-plated brass shaft and bushings
- Wirewound element
- Linear taper
- Very stable over the operating temperature
- Meets MIL-R-19 standards

#### Typical Applications

- Manual controls
- Welding and heating

#### Description

The RA30 Series is a military qualified potentiometer made in accordance to MIL-R-19 specifications. It offers a 3 watt power rating and a wirewound element.



### RA30NASD500A

## RA30 Series Industrial Potentiometer, Wire Wound Element, Solder lug Terminals, 4 W Power Rating, 50 Ohm Resistance Value

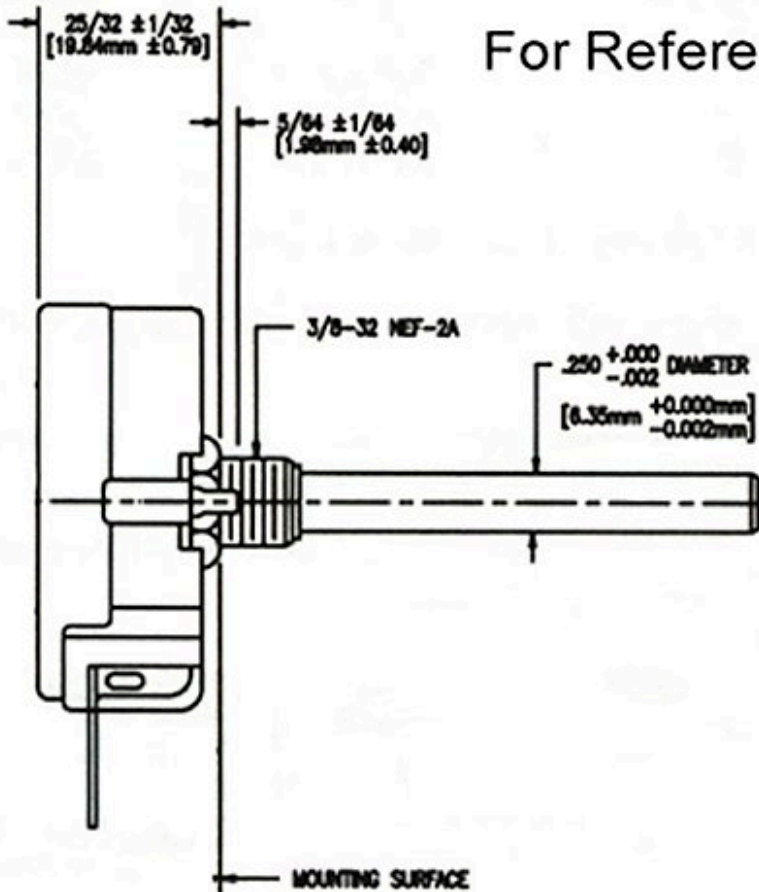
Product Specifications	
Potentiometer Type	Industrial
Element Type	Wire Wound
Terminal Type	Solder lug
Power Rating	4 W
Resistance Value	50 Ohm
Resistance Tolerance	± 10 %
Linearity	± 5 %
Bushing Thread	9,53 mm [0.375 in] x 32 NEF-2A
Bushing length	9,53 mm [0.375 in]
Bushing Type	Standard
Shaft Diameter	6,35 mm [0.25 in]
Shaft length	22,23 mm [0.875 in]
Shaft Ending	Slotted
Body	42.93 mm [1.69 in] diameter, ± 0.79 mm [0.031 in], except at terminal standoff

<b>Electrical Taper</b>	Linear
<b>Operating Temperature</b>	-55 °C to 105 °C [-67 °F to 220 °F]
<b>Working Voltage (Max.)</b>	350 V
<b>Rotational Life</b>	25000 cycles
<b>Mechanical Rotation</b>	300°
<b>Availability</b>	Global
<b>Series Name</b>	RA30 Series
<b>UNSPSC Code</b>	4111363300
<b>UNSPSC Commodity</b>	4111363300 Potentiometers

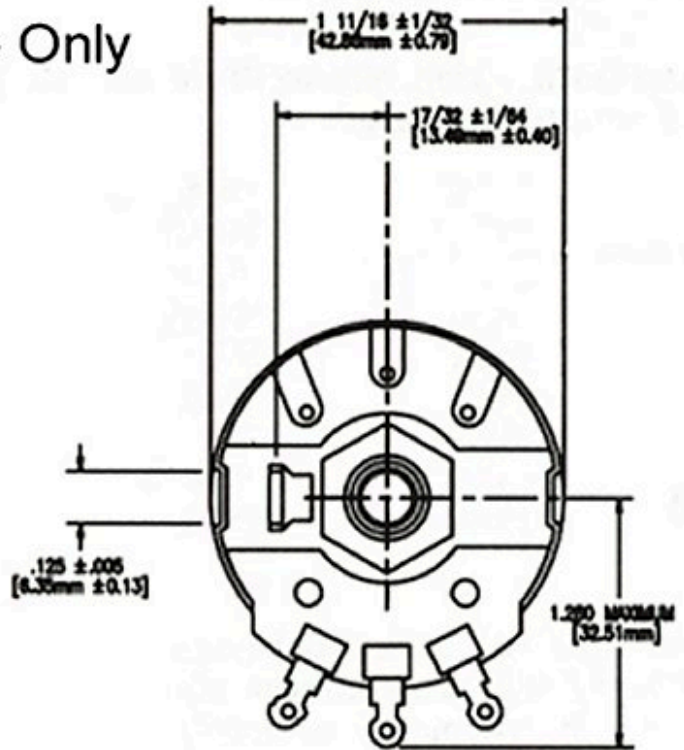
# Honeywell

## RA30NASD500A

RA30 Series Industrial Potentiometer, Wire Wound Element, Solder lug Terminals, 4 W Power Rating, 50 Ohm Resistance Value



For Reference Only



DESIGN DETAILS MAY CHANGE WITHOUT NOTICE. CERTIFIED DRAWING AVAILABLE UPON REQUEST



## RA30NASD500A

### RA30 Series Industrial Potentiometer, Wire Wound Element, Solder lug Terminals, 4 W Power Rating, 50 Ohm Resistance Value

#### **WARNING**

##### **PERSONAL INJURY**

DO NOT USE these products as safety or emergency stop devices, or in any other application where failure of the product could result in personal injury.

**Failure to comply with these instructions could result in death or serious injury.**

#### **WARNING**

##### **MISUSE OF DOCUMENTATION**

- The information presented in this product sheet (or catalog) is for reference only. DO NOT USE this document as product installation information.
- Complete installation, operation and maintenance information is provided in the instructions supplied with each product.

**Failure to comply with these instructions could result in death or serious injury.**

© Copyright Honeywell Inc.1998-2004 All rights reserved.